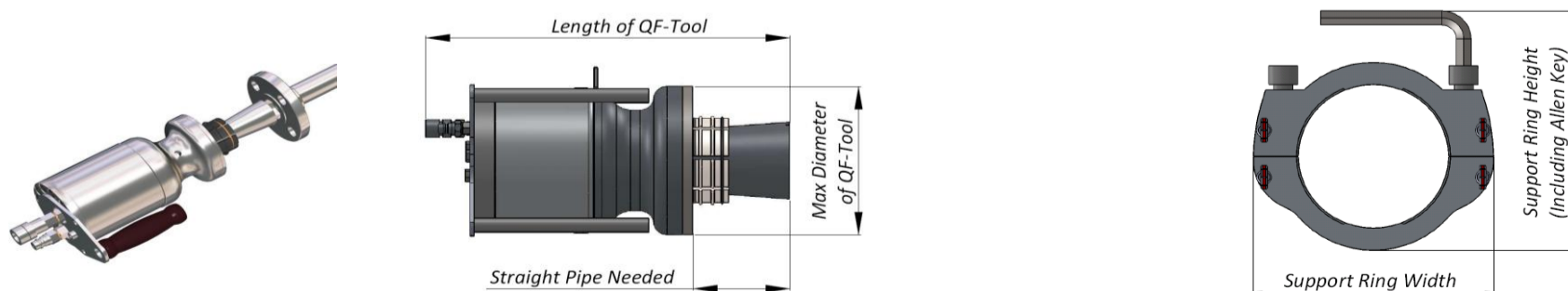




**Table - Critical Dimensions QF Tools**

<b>Notes:</b> 1 . All weight values are measured in kg 2 . All measurments in mm unless otherwise specified 3. RCT=Reverse Cone Tool		Document No: QFT-D-100.277	
		Author: GOK	Revision: 1
		Checked: MS	Date: 16.06.2011
		Approved: FT	Confidentiality: Open
		Revision Changes: Added tools for: 2" S160 and 12" S30	

NPS	Sch	QF-Tool Size	Weight of QF-Tool (kg)	Weight of Support Ring (kg)	Straight Pipe Needed (mm) *	Length of QF-Tool (mm) **	Max Diameter of QF-Tool (mm)
1"	10/40	Driver 1	3,5	NA	95	365	90 (Without Handle)
	10/40/80	Driver 2 RCT	10	NA	110	435	135 (200 Including Handle)
	CuNi	Driver 1	3,5	NA	95	365	90 (Without Handle)
1 ¼"	40	Driver XP1	6	NA	95	410	110 (165 Including Handle)
1 ½"	10/40	Driver XP1	6	NA	95	410	110 (165 Including Handle)
	10/40/80	Driver 2 RCT	10	NA	110	420	135 (200 Including Handle)
	CuNi	Driver XP1	6	NA	95	410	110 (165 Including Handle)
2"	10/40	Driver 2	9	NA	115	425	135 (200 Including Handle)
	80	Driver 2 RCT	11	NA	115	420	135 (200 Including Handle)
	160	Driver XP2 RCT	18	NA	110	425	150 (220 Including Handle)
	CuNi	Driver 2	9	NA	115	425	135 (200 Including Handle)
2 ½"	40	Driver XP2	16	NA	120	460	160 (220 Including Handle)
	CuNi	Driver 2	11	NA	120	430	135 (200 Including Handle)
3"	10/40	Driver XP2	17	NA	120	470	160 (220 Including Handle)
	80	Driver XP2 RCT	19,5	NA	135	450	160 (220 Including Handle)
	CuNi	Driver 2	12	NA	120	430	160 (220 Including Handle)
4"	10/40	Driver 3	43,5	NA	140	535	210 (240 Including Handle)
	80	Driver 3	43,5	NA	140	535	210 (240 Including Handle)
	CuNi	Driver 3	43,5	NA	140	535	210 (240 Including Handle)
5"	40	Driver 3	48	33,3	165	545	Support Ring Height 430*** Support Ring Width 415***
6"	10/40	Driver 3	55	35,9	145	555	Support Ring Height 450*** Support Ring Width 445***
	80	Driver XP3	135	35,9	185	735	Support Ring Height 450*** Support Ring Width 445***
	CuNi	Driver 3	55	35,9	145	555	Support Ring Height 450*** Support Ring Width 445***
8"	10/20/30/ 40/60	Driver XP3	145	57,3	190	705	Support Ring Height 500*** Support Ring Width 465***
	80	Driver XP3	155,5	57,3	240	750	Support Ring Height 500*** Support Ring Width 465***
	CuNi	Driver XP3	145	57,3	190	705	Support Ring Height 500*** Support Ring Width 465***
10"	40	Driver XP3	152,5	86,7	190	700	Support Ring Height 565*** Support Ring Width 560***
12"	30	Driver XP3	165	52,8	190	700	Support Ring Height 650*** Support Ring Width 630***



**COMMENTS:** If above dimensions are to high, please contact Quickflange for special solutions.

\* = Required straight length of pipe that QF- tool will be fitted into.

\*\* = Excluding 70mm of hydraulic hose elbow-connection, which can be connected after the QF-Tool has been inserted into the pipe.

\*\*\* = The 5", 6", 8", 10" and 12" QF connections must be activated using a Support Ring around the QF flange.